

# Washer extractors

## W4180H

### Features and benefits

- **Clarus Control® with:**
  - Fully programmable microprocessor
  - All relevant wash parameters can be programmed
  - Programming from key pad or downloading via memory card
- High extraction force for efficient dewatering
- Extremely low water and energy consumption – see table below
- Four compartment soap box for manual dosing of powder or liquid detergent
- Stainless steel front panel and grey side panels
- Large door opening for easy loading/unloading
- Low noise level, for pleasant working environment
- SuperBalance™ guarantees the correct extraction force

### Main options

- IS – Integrated Saving
- Stainless steel side panel
- Dual drain valves for water re-use
- Dynamic Balancing System™ eliminates noise and vibration



Images shown are a representation of the product only and variations may occur.

Main specifications				W4180H	
Max. capacity		kg/lb	20/45		
Drum, volume		litre	180		
	diameter	ø mm	725		
Extraction		rpm	930		
G-factor			350		
Heating alternatives, 230/400V	electricity	kW	18.0		
	steam		x		
	non-heated		x		
<b>Consumption data "Normal 60°C" * (3G01)</b>				EI	Steam
Total time		min	45	**	
Water consumption (cold+hot)		litre	120+32	120+32	
Energy consumption (motor/heating)		kWh	0.5/0.8	0.5	
Steam consumption		kg	-	1.2	
* Water temperature 15°C cold water and 65°C hot water.					
** Depending on steam pressure.					

Produced according to ISO 9001 and ISO 14001.

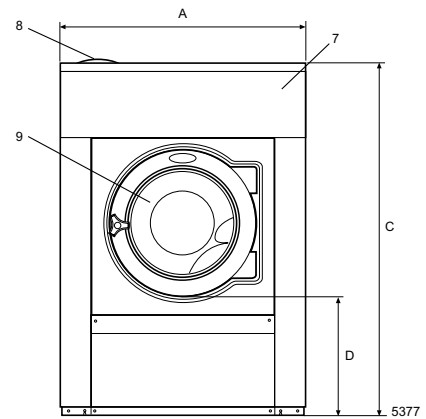
Certified with CB certificate for Low Voltage Directive and S-mark according to the Machinery Directive. Protection class IP X4D.

Electrical connections					
Heating alternative	Main voltage		Heating power kW	Total power kW	Recommended fuse A
		Hz			
Electric heated	220-240V 3 -	50/60	18.0	18.3	50
	380-415V 3N -	50/60	18.0	18.3	35
	440V 3 -	60	18.0	18.4	25
	480V 3 -	60	18.0	18.4	25
Steam or Non heated	220-480V 1 -	50/60	-	2.3	10

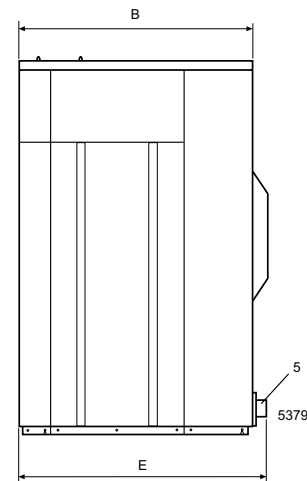
Water and steam connection		W4180H
Water valves	DN	20
Water pressure	kPa	150-400
Capacity at 300 kPa	l/min	60
Drain valve	∅ mm	75
Draining capacity	l/min	170
Steam valve	DN	15
Steam pressure	kPa	300-600
Liquid detergent supplies		5
Floor requirements		
Frequency of the dynamic force	Hz	15.5
Floor load at max extraction	kN	4.2 ± 1.0
Sound levels		
Sound pressure level*		
Wash	dB(A)	<70
Extraction	dB(A)	83
Heat emission		
% of installed power, max		5
Shipping data**		
Weight	net, kg	356
	crated, kg	376
Shipping volume	m <sup>3</sup>	1.64
Accessories		
Steel base frame		x
Water re-use tank (Clarus Control)		x
Hose kits for water or steam		x
Dimensions in mm		
A Width		970
B Depth		870
C Height		1410
D		470
E		945
F		1120
G		115
H		1330
I		230
K		1290
L		315
M		395
N		100
O		335
P		485
1 Electrical connections	6 Liquid supply connections	
2 Cold water	7 Control panel	
3 Hot water	8 Soap box	
4 Steam connection	9 Door opening ∅ 435 mm	
5 Drain		

\* A-weighted emission sound pressure level at workingstations.

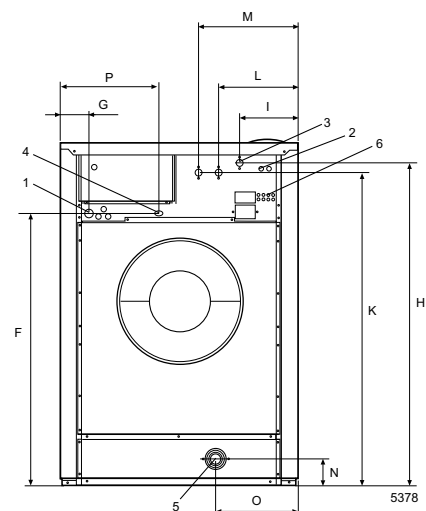
\*\* Average data. Crated weight/shipping volume depends on configuration. Please contact logistics for exact measures.



Front



Right side



Rear side